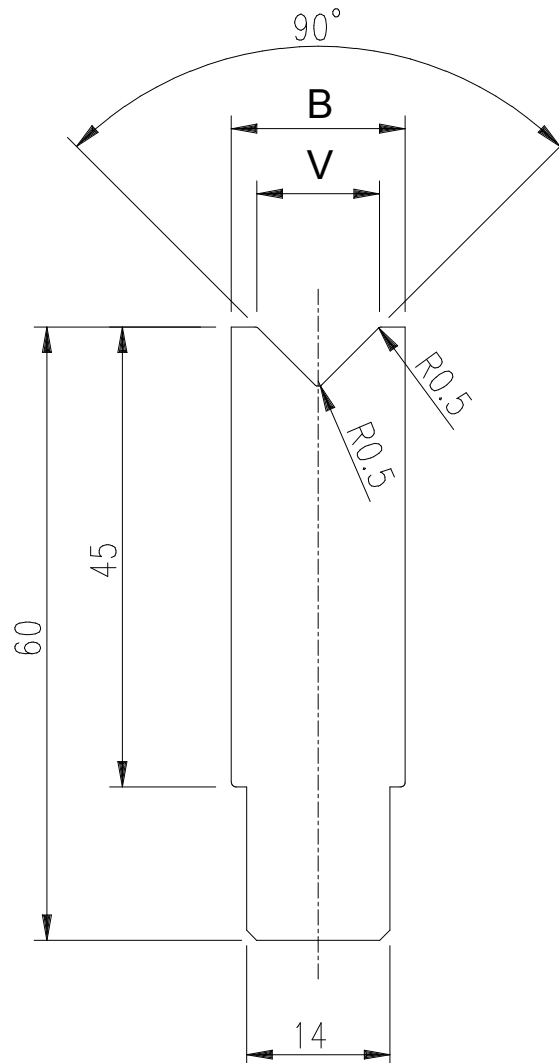


| PS-2190 - 90° | | | |
|---------------|-----------|-----------|----------------|
| | V [mm] | B [mm] | Weight [Kg] |
| PS 2191 | 6 | 14 | 5,45 |
| PS 2192 | 8 | 14 | 5,40 |
| PS 2193 | 10 | 15 | 5,74 |
| PS 2194 | 12 | 17 | 6,45 |



Length: 415, 835, 835 sect. mm

parma stamp
NOCETO-PR-(ITALY)

Matrice Serie PS-2190

Max Load: 95 Ton/m

Material: 1.0503 (C45)

TRATTAMENTO TERMICO
Temprato a induzione: HRC 52-58